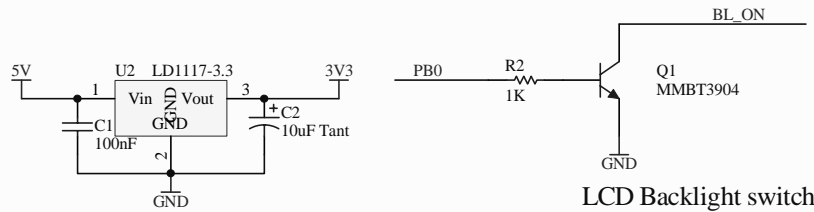
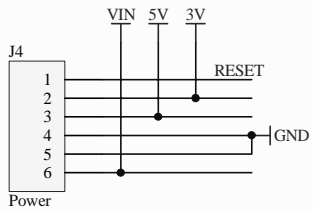
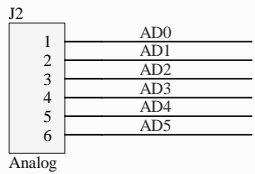
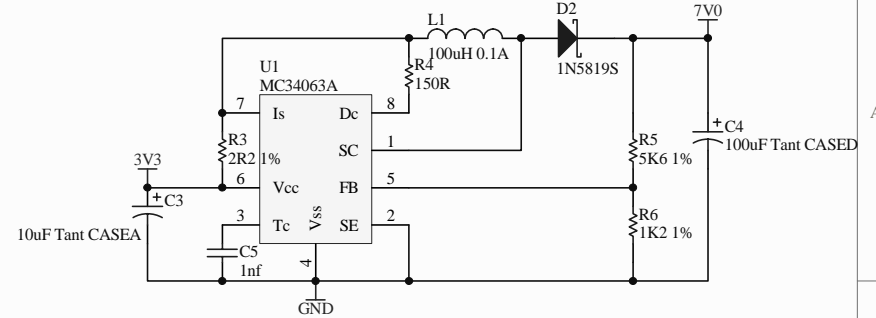


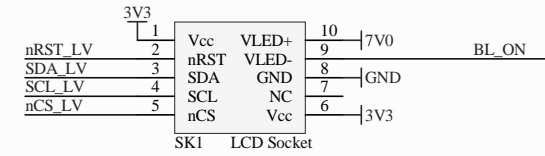
JoyStick & Voltage divider Interface



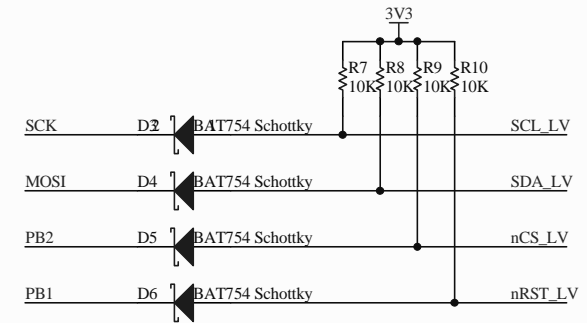
LCD Backlight switch



Step-up Converter



LCD Socket



5V->3V3 Logic converter

Title			COLOR LCD Shield V1.0 for Arduino		
Size	Number			Revision	
A4					
Date:	03/10/2008	Sheet		of	
File:	E:\xing\...\ColorLCD_shield_v1.SchDoc	Drawn By:			