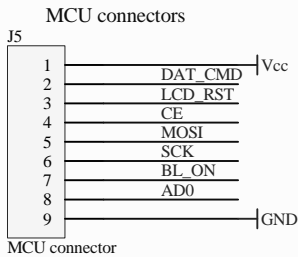
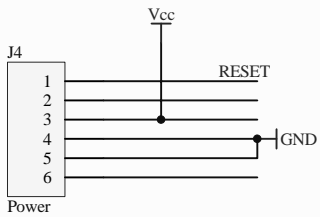
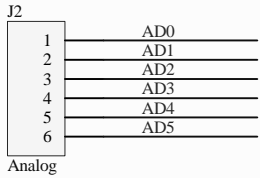
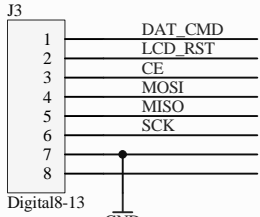
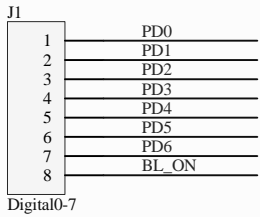
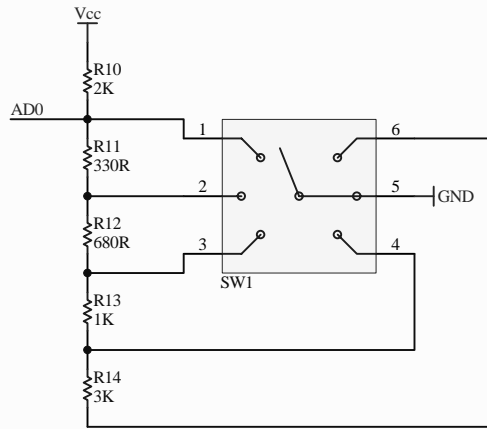
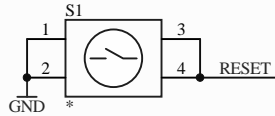
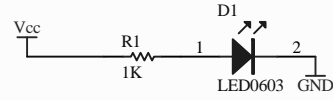


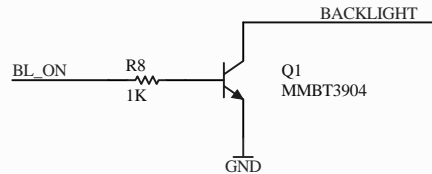
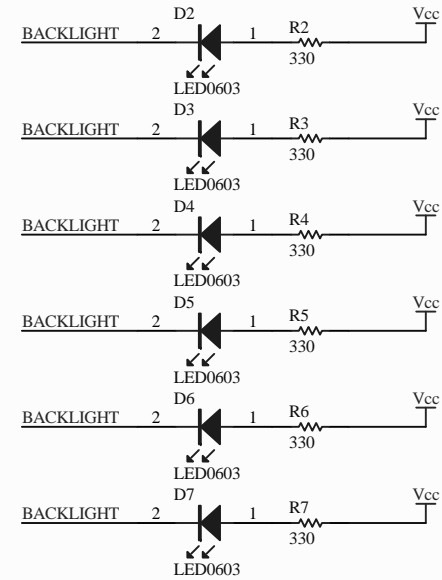
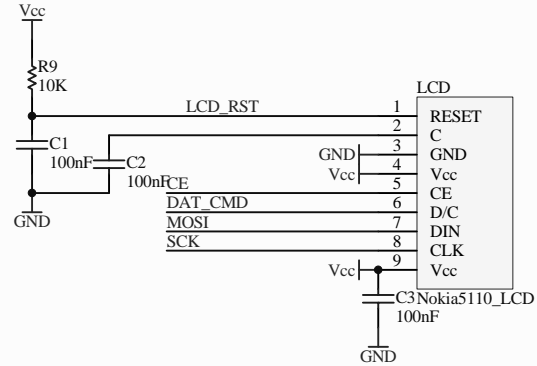
Arduino Connectors



VCC - 3.3V - 5V
All logic I/O compatible with
5V & 3.3V logic level



JoyStick & Voltage divider Interface



LCD Backlight switch

Title		
Nokia 3310 LCD Shield V1.0 for Arduino		
Size	Number	Revision
A4		
Date:	24/06/2009	Sheet of
File:	E:\xing\...\Nokia5110_LCD_v1.0.SchDoc	Drawn By: