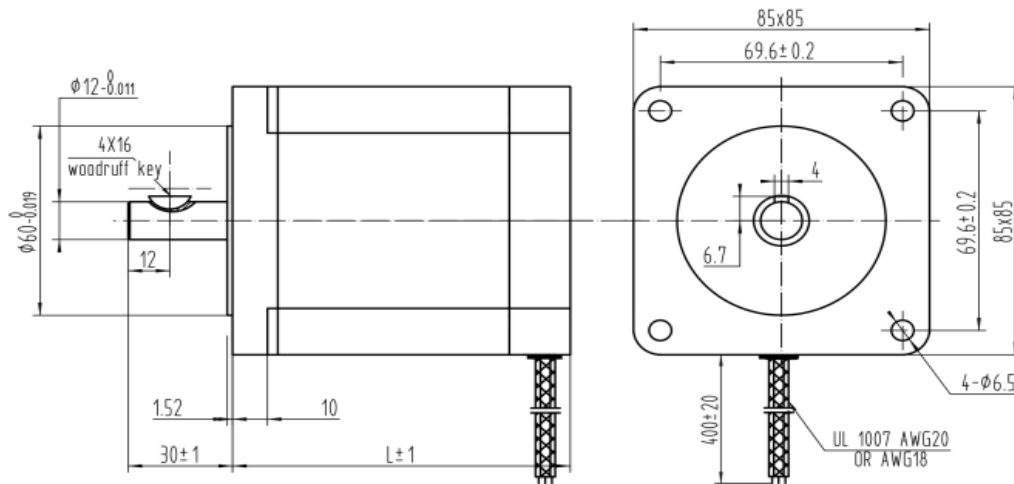


1.2° 85mm 3 Phase Hybrid Stepping Motor

Motor Data							
Motor Codes	853P67-1756A	853P97-2006A	853P97-5806A	853P97-5206A	853P127-2256A	853P127-5206A	
1 Voltage/Phase	7.44	10.8	5.22	5.72	20.25	14.3	V
2 Current/Phase	1.75	2	5.8	5.2	2.25	5.2	A
3 Resistance/Phase	4.25	5.4	0.9	1.1	9	2.75	Ω
4 Inductance/Phase	12.3	23.0	3.2	6.8	41	13.7	mH
5 Holding Torque	226	452	452	452	678	678	N.cm
6 NO. Leads	6	6	6	6	6	6	
7 Rotor Inertia	1100	1400	1400	1400	2700	2700	gcm ²
8 Length	67	97	97	97	127	127	mm
9 Weight	1.9	3.1	3.1	3.1	4.3	4.3	kg
General specifications							
10 Step angle	1.2°						
11 Step Angle Accuracy	±5% (full step, no load)						
12 Resistance Accuracy	±10%						
13 Inductance Accuracy	±20%						
14 Insulation Resistance	500VDC 100MΩMin						
15 Dielectric Strength	500VAC 1 minute						
16 Ambient Temperature	-20°C-- +50°C						
17 Temperature Rise	80°C Max(rated current)						
18 Shaft Axial Play	0.08mm Max(450g load)						
19 Shaft Radial Play	0.02mm Max(450g load)						
20 Max Axial Force	80N						
21 Max Radial Force	220N(20mm from the flange)						
22 Insulation Class	B						

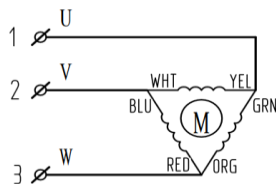
Dimensional drawing



Option, cable and connection information

Connection Motor (UL1007 AWG20/AWG18)

WHT	V
BLU	V
RED	W
ORG	W
GRN	U
YEL	U



Note: About the torque curves, please contact us for more information.
www.nuelectronics.com