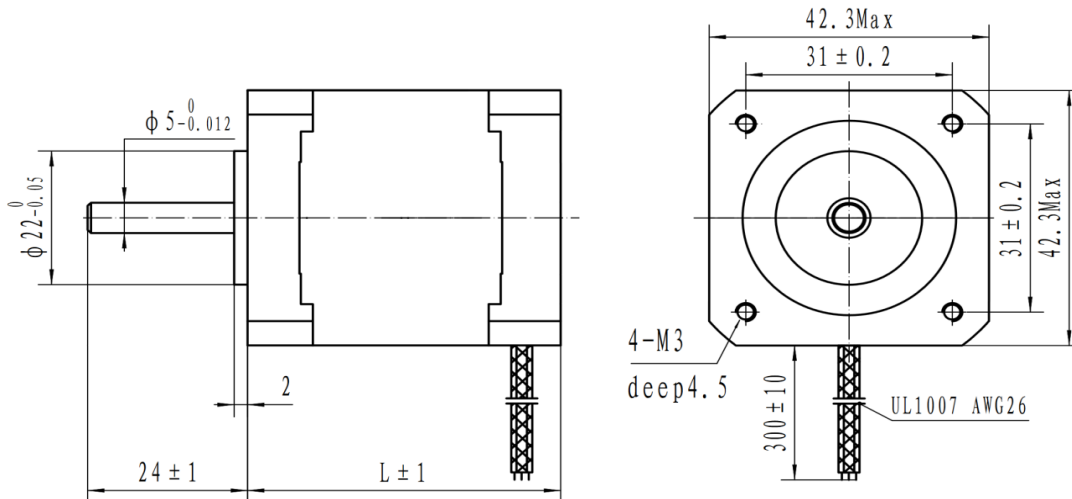


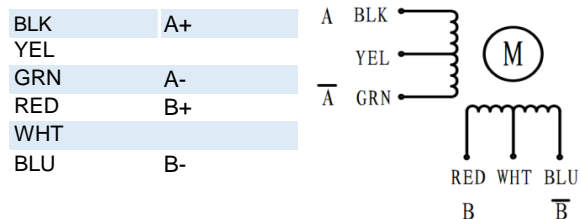
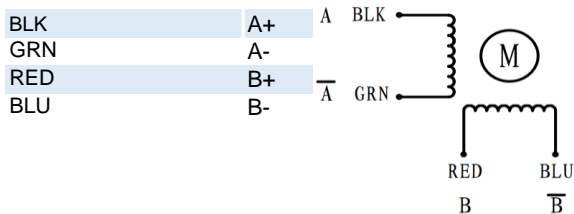
Motor Data							
Motor Codes	42STH33-0956MA	42STH33-1334MA	42STH38-1206MA	42STH38-0404MA	42STH47-1206MA	42STH47-0406MA	
1 Voltage/Phase	4	2.8	4	12	4	12	V
2 Current/Phase	0.95	1.33	1.2	0.4	1.2	0.4	A
3 Resistance/Phase	4.2	2.1	3.3	30	3.3	30	Ω
4 Inductance/Phase	4.0	4.2	3.4	30	4	38	mH
5 Holding Torque	15.8	22	25.9	25.9	31.7	31.7	N.cm
6 NO. Leads	6	4	6	4	6	6	
7 Rotor Inertia	35	35	54	54	68	68	gcm ²
8 Length	33	33	38	38	47	47	mm
9 Weight	0.22	0.22	0.28	0.28	0.35	0.35	kg
General specifications							
10 Step angle	0.9°						
11 Step Angle Accuracy	±5% (full step, no load)						
12 Resistance Accuracy	±10%						
13 Inductance Accuracy	±20%						
14 Insulation Resistance	500VDC 100M Ω min						
15 Dielectric Strength	500VAC 1 minute						
16 Ambient Temperature	-20°C -- +50°C						
17 Temperature Rise	80°C Max(rated current)						
18 Shaft Axial Play	0.08mm Max(450g load)						
19 Shaft Radial Play	0.02mm Max(450g load)						
20 Max Axial Force	10N						
21 Max Radial Force	28N(20mm from the flange)						
22 Insulation Class	B						

Dimensional drawing



Option, cable and connection information

Connection Motor (UL1007 AWG26)



Note: About the torque curves, please contact us for more information.
www.nuelectronics.com