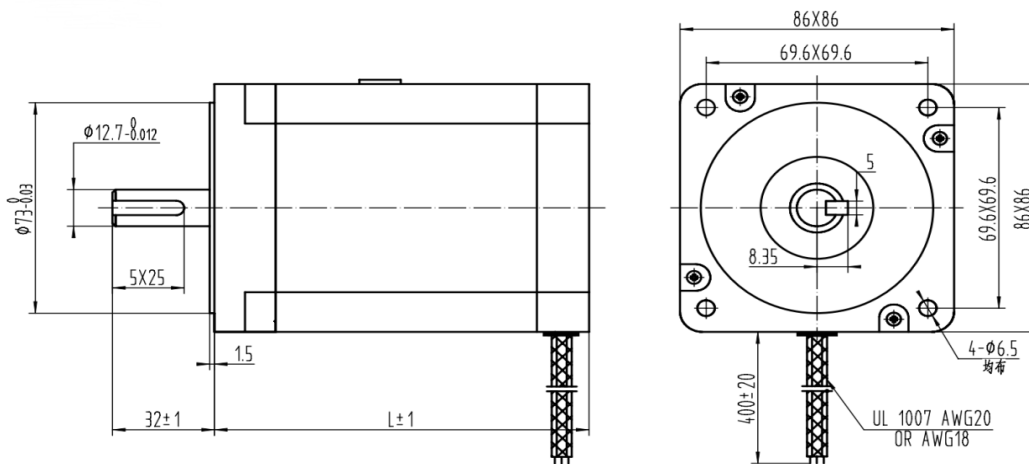


1.8° 86mm 2 Phase Hybrid Stepping Motor

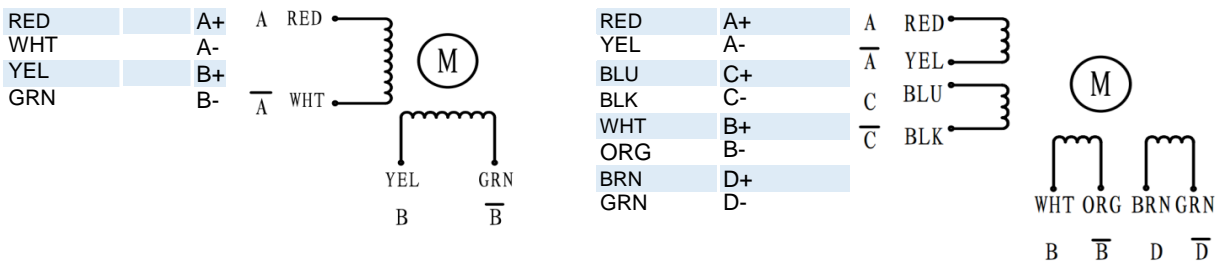
Motor Data									
Motor Codes	86STH65-5004A	86STH65-2808A	86STH80-4204A	86STH80-4208A	86STH118-6004A	86STH118-4208A	86STH156-6204A	86STH156-4208A	
1 Voltage/Phase	1.65	1.68	2.15	3.36	3.6	5.33	4.96	6.72	V
2 Current/Phase	5	2.8	4.2	4.2	6	4.2	6.2	4.2	A
3 Resistance/Phase	0.3	0.6	0.51	0.8	0.6	1.27	0.8	1.6	Ω
4 Inductance/Phase	1.6	1.6	4.7	3.8	6.5	6.4	9	9	mH
5 Holding Torque	340	340	460	460	900	900	1350	1350	N.cm
6 NO. Leads	4	8	4	8	4	8	4	8	
7 Rotor Inertia	1000	1000	1400	1400	2700	2700	4000	4000	gcm ²
8 Length	65	65	80	80	118	118	156	156	mm
9 Weight	1.8	1.8	2.4	2.4	3.8	3.8	5.4	5.4	kg
General specifications									
10 Step angle	1.8°								
11 Step Angle Accuracy	±5% (full step, no load)								
12 Resistance Accuracy	±10%								
13 Inductance Accuracy	±20%								
14 Insulation Resistance	500VDC 100MΩMin								
15 Dielectric Strength	500VAC 1 minute								
16 Ambient Temperature	-20°C-- +50°C								
17 Temperature Rise	80°C Max(rated current)								
18 Shaft Axial Play	0.08mm Max(450g load)								
19 Shaft Radial Play	0.02mm Max(450g load)								
20 Max Axial Force	80N								
21 Max Radial Force	220N(20mm from the flange)								
22 Insulation Class	B								

Dimensional drawing



Option, cable and connection information

Connection Motor (UL1007 AWG20/AWG18)



Note: About the torque curves, please contact us for more information.
www.nuelectronics.com