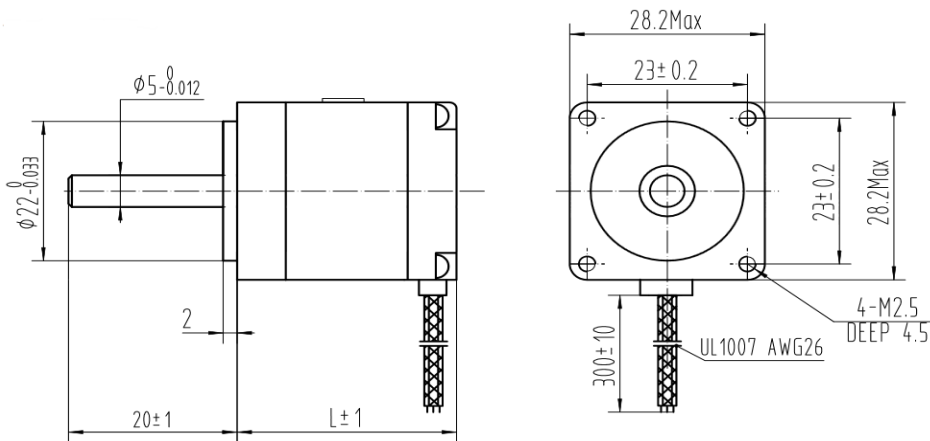


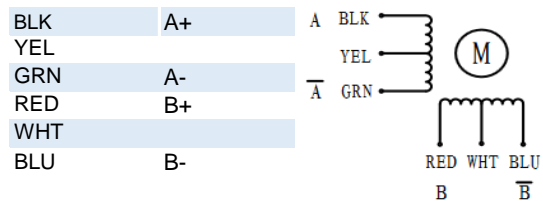
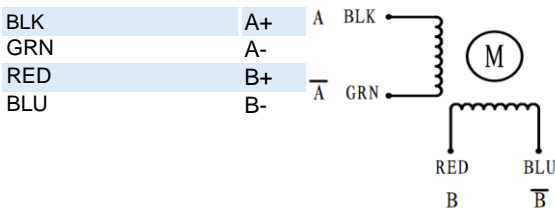
Motor Data							
Motor Codes	28STH32-0956A	28STH32-0674A	28STH45-0956A	28STH45-0674A	28STH51-0956A	28STH51-0674A	
1 Voltage/Phase	2.75	3.88	3.4	4.56	4.4	6.2	V
2 Current/Phase	0.95	0.67	0.95	0.67	0.95	0.67	A
3 Resistance/Phase	2.9	5.8	3.4	6.8	4.6	9.2	Ω
4 Inductance/Phase	0.9	3.2	1.2	4.9	1.8	7.2	mH
5 Holding Torque	4.3	6.0	7.5	9.5	9	12	N.cm
6 NO. Leads	6	4	6	4	6	4	
7 Rotor Inertia	9	9	12	12	18	18	gcm ²
8 Length	31.5	31.5	44.5	44.5	50.5	50.5	mm
9 Weight	0.11	0.11	0.17	0.17	0.2	0.2	kg
General specifications							
10 Step angle	1.8°						
11 Step Angle Accuracy	±5% (full step, no load)						
12 Resistance Accuracy	±10%						
13 Inductance Accuracy	±20%						
14 Insulation Resistance	500VDC 100MΩMin						
15 Dielectric Strength	500VAC 1 minute						
16 Ambient Temperature	-20°C-- +50°C						
17 Temperature Rise	80°C Max(rated current)						
18 Shaft Axial Play	0.08mm Max(450g load)						
19 Shaft Radial Play	0.02mm Max(450g load)						
20 Max Axial Force	10N						
21 Max Radial Force	28N(20mm from the flange)						
22 Insulation Class	B						

Dimensional drawing



Option, cable and connection information

Connection Motor (UL1007 AWG26)



Note: About the torque curves, please contact us for more information.
www.nuelectronics.com