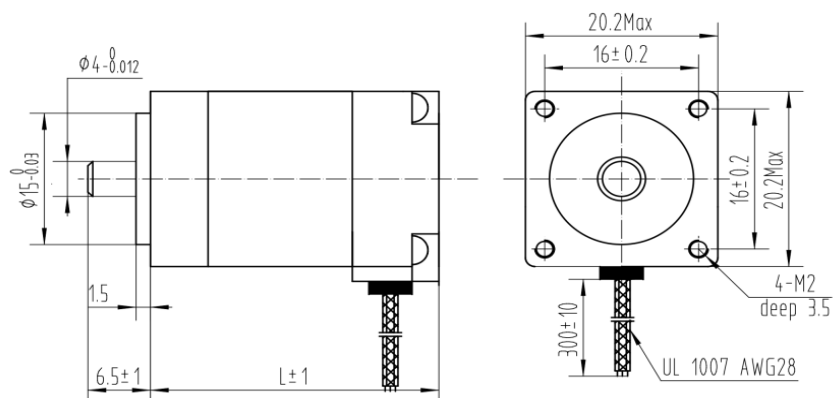


Motor Data							
Motor Codes		20STH30-0604A	20STH33-0604A	20STH42-0804A			
1	Voltage/Phase	3.9	3.9	4.32			V
2	Current/Phase	0.6	0.6	0.8			A
3	Resistance/Phase	6.5	6.5	5.4			Ω
4	Inductance/Phase	1.7	1.7	1.5			mH
5	Holding Torque	1.8	1.8	3.0			N.cm
6	NO. Leads	4	4	4			
7	Rotor Inertia	2.0	2.0	2.0			gcm ²
8	Length	30	33	42			mm
9	Weight	0.06	0.06	0.08			kg
General specifications							
10	Step angle			1.8°			
11	Step Angle Accuracy			±5% (full step, no load)			
12	Resistance Accuracy			±10%			
13	Inductance Accuracy			±20%			
14	Insulation Resistance			500VDC 100MΩMin			
15	Dielectric Strength			500VAC 1 minute			
16	Ambient Temperature			-20°C-- +50°C			
17	Temperature Rise			80°C Max(rated current)			
18	Shaft Axial Play			0.08mm Max(450g load)			
19	Shaft Radial Play			0.02mm Max(450g load)			
20	Max Axial Force			10N			
21	Max Radial Force			28N(20mm from the flange)			
22	Insulation Class			B			

Dimensional drawing



Option, cable and connection information

Connection Motor (UL1007 AWG28)

BLK	A+
YEL	A-
RED	B+
BLU	B-

