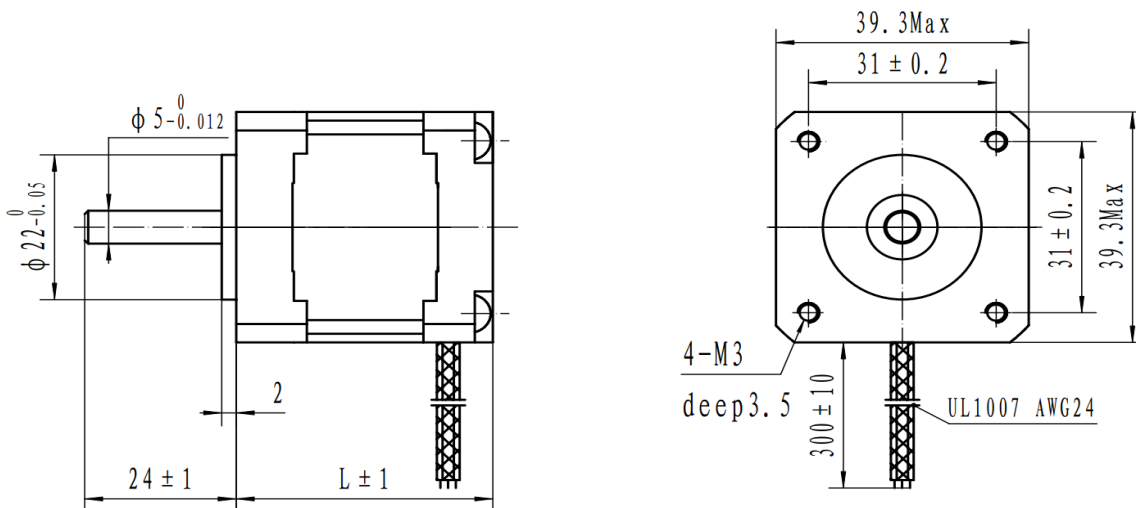


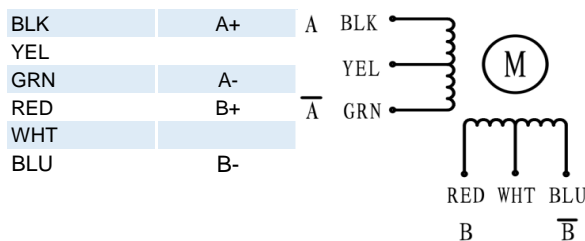
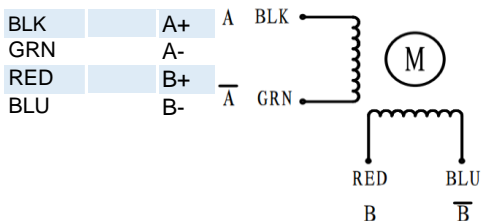
Motor Data								
Motor Codes	39STH20-0404A	39STH20-0506A	39STH34-0654A	39STH34-0306A	39STH38-0504A	39STH38-0806A	39STH44-0304A	
1 Voltage/Phase	2.64	6.5	4.55	12	12	6	12	V
2 Current/Phase	0.4	0.5	0.6	0.3	0.5	0.8	0.3	A
3 Resistance/Phase	6.6	13	7	40	24	7.5	42	Ω
4 Inductance/Phase	7.5	7.5	9.3	20	45	6	80	mH
5 Holding Torque	6.5	8	18	13	29	20	30	N.cm
6 NO. Leads	4	6	4	6	4	6	4	
7 RotorIn	11	11	20	20	24	24	40	gcm ²
8 Length	20	20	34	34	38	38	44	mm
9 Weight	0.12	0.12	0.21	0.21	0.25	0.25	0.26	kg
General specifications								
10 Step angle	1.8°							
11 Step Angle Accuracy	±5% (full step, no load)							
12 Resistance Accuracy	±10%							
13 Inductance Accuracy	±20%							
14 Insulation Resistance	500VDC 100MΩMin							
15 Dielectric Strength	500VAC 1 minute							
16 Ambient Temperature	-20°C-- +50°C							
17 Temperature Rise	80°C Max(rated current)							
18 Shaft Axial Play	0.08mm Max(450g load)							
19 Shaft Radial Play	0.02mm Max(450g load)							
20 Max Axial Force	10N							
21 Max Radial Force	28N(20mm from the flange)							
22 Insulation Class	B							

Dimensional drawing



Option, cable and connection information

Connection Motor (UL1007 AWG24)



Note: About the torque curves, please contact us for more information.
www.nuelectronics.com